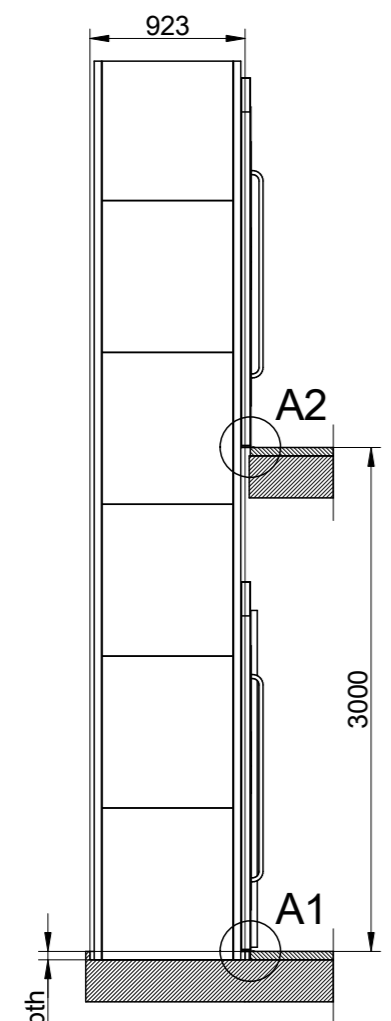


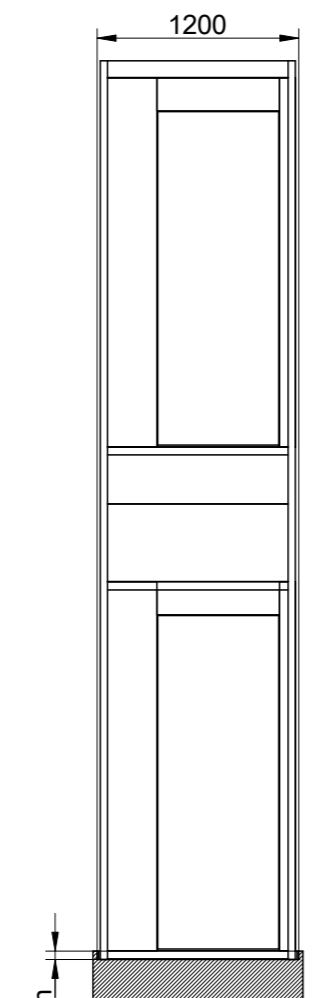
# Shaft cutout sizes

Clear space required for lift unit not in a shaft by others

Door front cutout sizes		
Landing	Width	Height
A 1	1200	2250
A 2	1200	2250

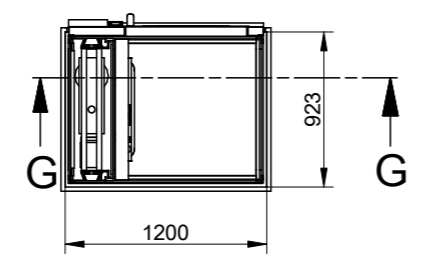
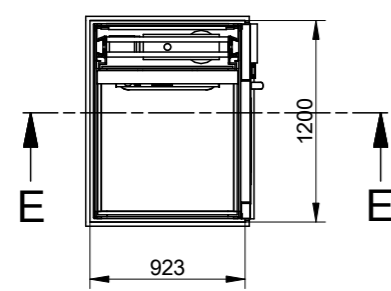


Section E-E

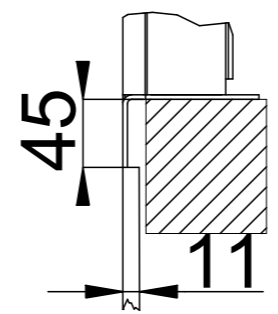


Section G-G

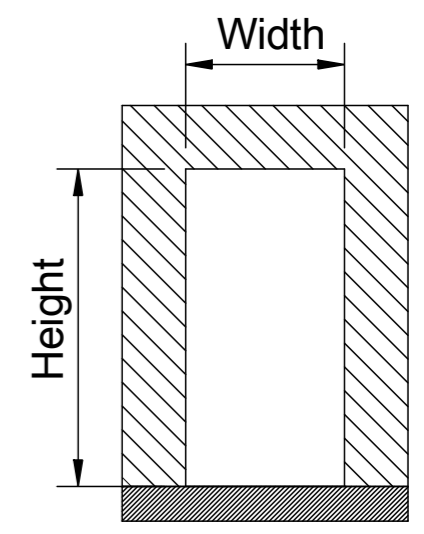
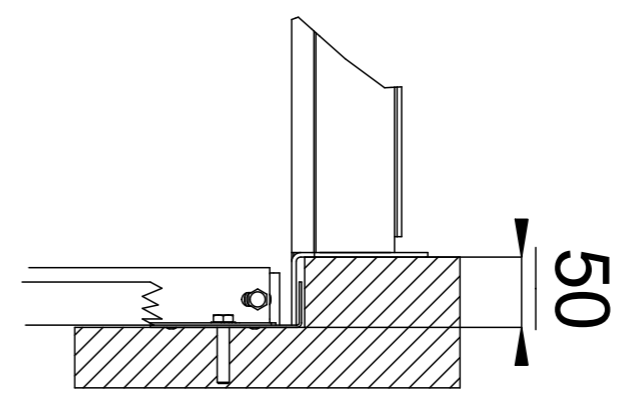
50 mm pit depth + 10 mm, - 0 mm.  
Bottom surface must be flat



A2 (1:5)



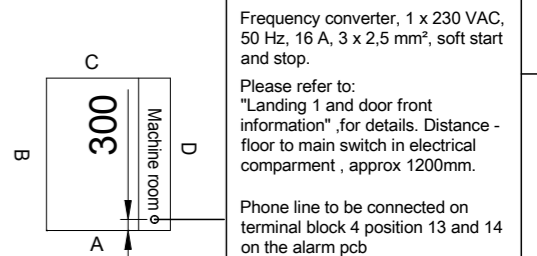
A1 (1:5)



Door cut out

Incoming power supply is connected at landing: 1, side A

The following signals may be forwarded from the lift:  
 -Emergency signal: On the alarm pcb, the circuit between position 1 and position 2 on terminal board 4, is closed when the yellow alarm button is activated for 10 seconds.  
 -Summary alarm: Any operational errors (8 different) can be forwarded to a local alarm central or reception from terminal board 3, spaces 14 (N.C.), 15 (N.O.) and 16 (COM) on the alarm pcb.



Frequency converter, 1 x 230 VAC, 50 Hz, 16 A, 3 x 2,5 mm<sup>2</sup>, soft start and stop.  
 Please refer to: "Landing 1 and door front information" for details. Distance - floor to main switch in electrical compartment, approx 1200mm.  
 Phone line to be connected on terminal block 4 position 13 and 14 on the alarm pcb

Approved by builder:  
\_\_\_\_\_



Tender no  
154832-K

Order no

**Principal drawing**  
**A4 Mini - 800\*830**  
**Cut out sizes**  
 Kaksi pysähdystasoa - Ovet samalla sivulla

European view placement:

Gen. Tolerances  
SS-ISO 27681-1 m

Date  
2017-02-20

sheet  
2 of 6

Scale:  
A3, 1:60