

6 5 4 3 2 1

Loads sustained by shaft and platform  
and fixing points bottom frame

Recommended positioning of fixing points.  
Loads per fixing point, F= 4 kN

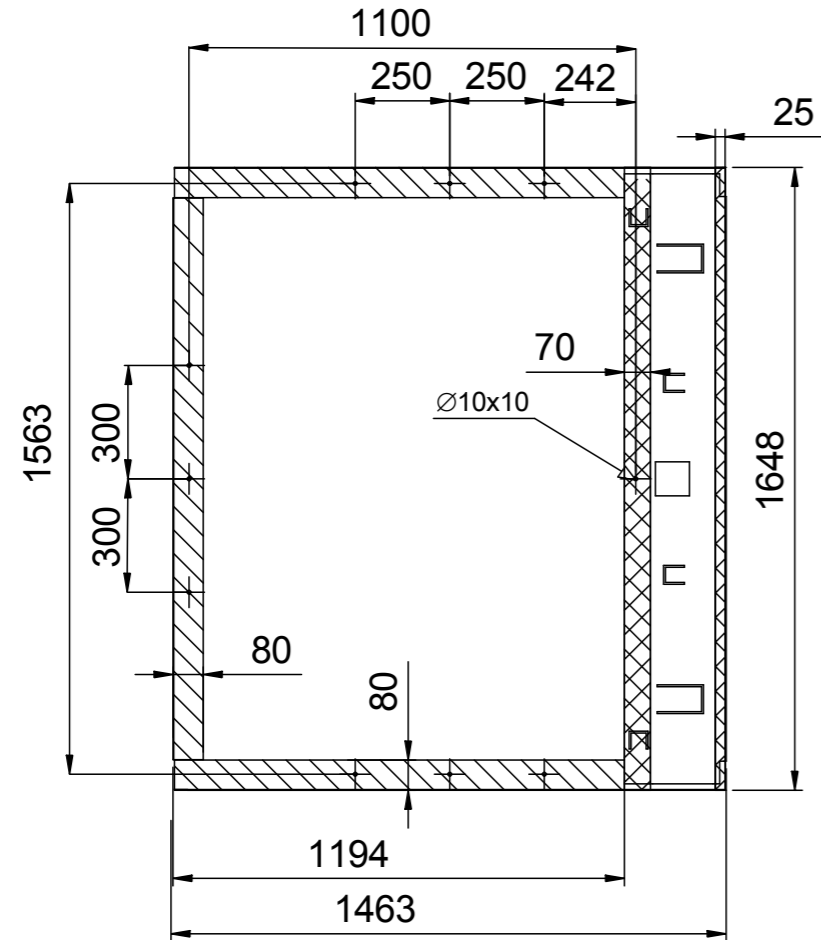
**A ( 1 : 5 )**



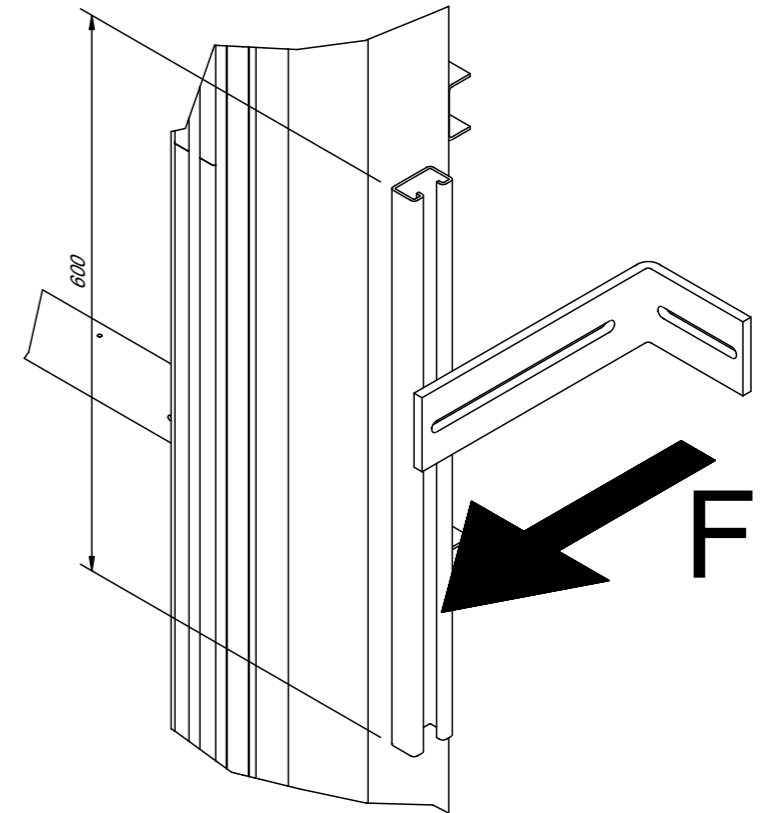
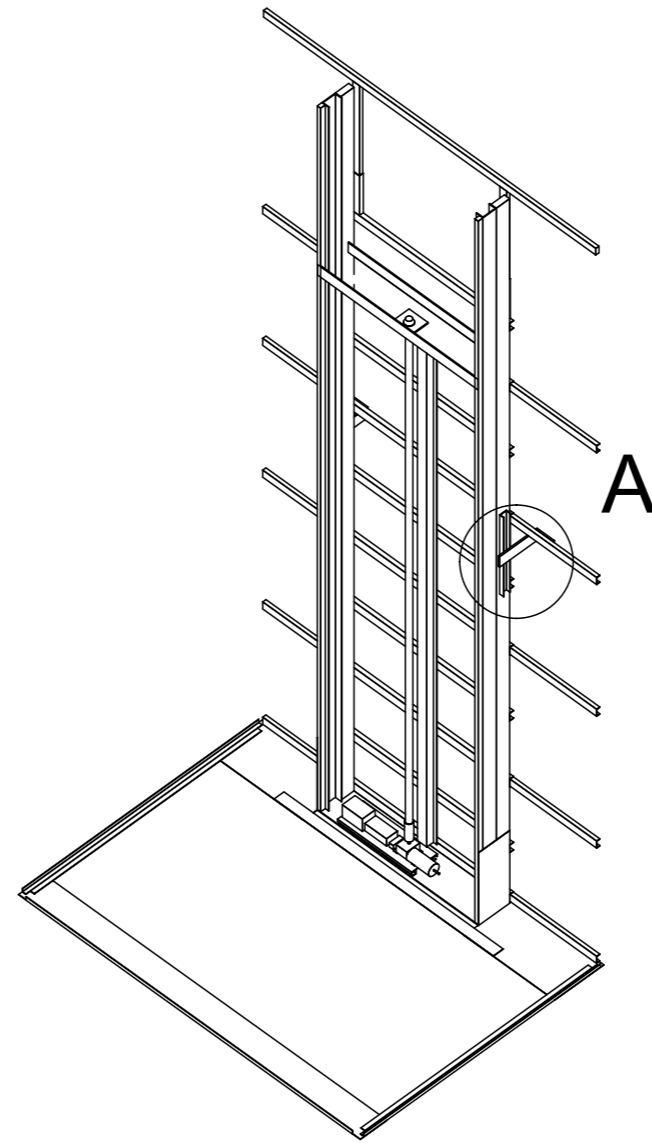
L section force: 4.08 kN  
L section load: 13.38 kN/m<sup>2</sup>



Mast force: 15.17 kN  
Mast load: 122.34 kN/m<sup>2</sup>



Scale: 1:20



Approved by  
builder:

European view placement:



Tender no  
154832-K

Order no

Gen. Tolerances  
SS-ISO 27681-1 m

**Principal drawing**  
A4 Flexa-Mille - 1405\*2480  
Loads and forces  
Kaksi pysähdystasoa - Ovet samalla  
sivulla  
Lavakoko 1405 x 2480 mm

Date  
2017-02-20

sheet  
3 of 6

Scale:  
A3, 1:1

6 5 4 3 2 1

D  
C  
B  
A

D  
C  
B  
A