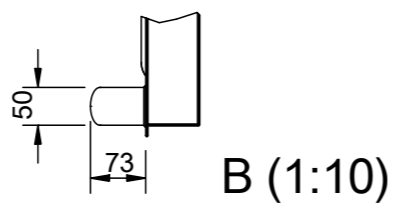
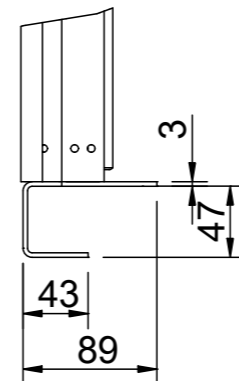
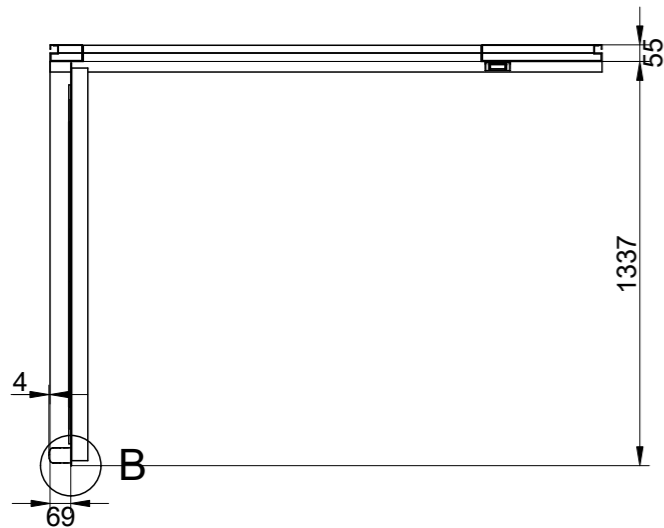
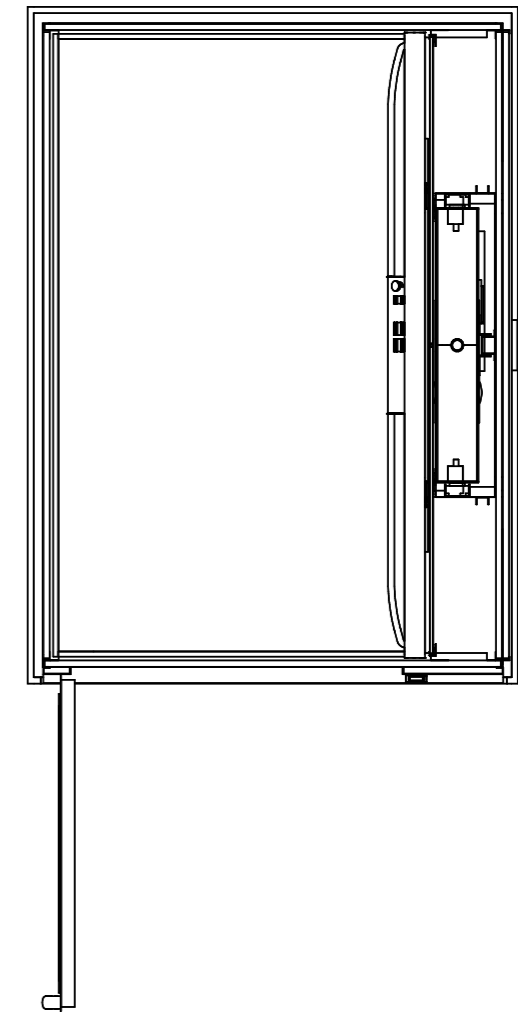
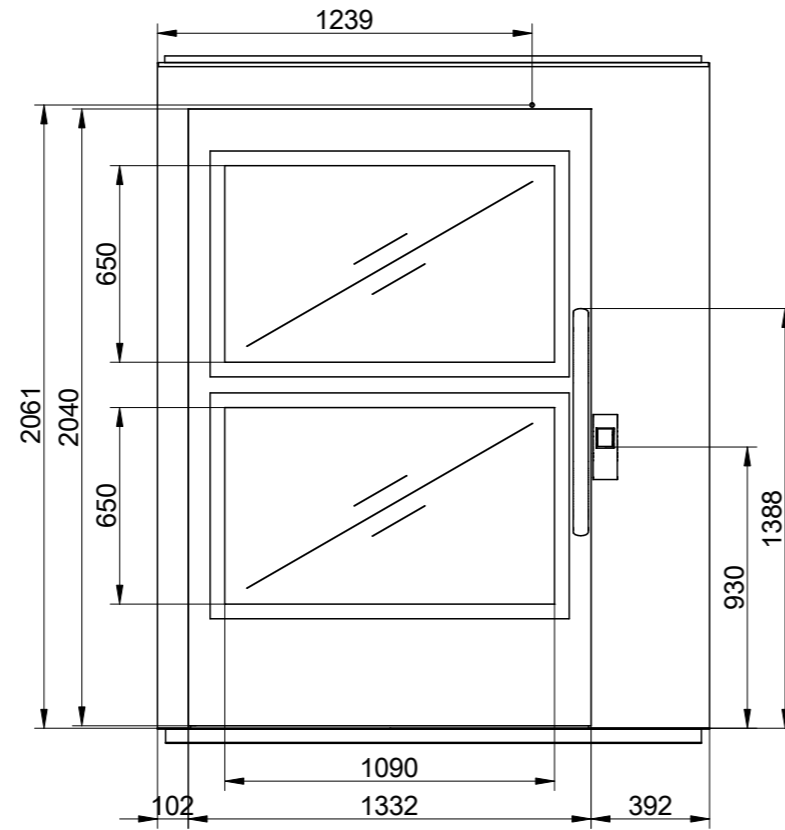
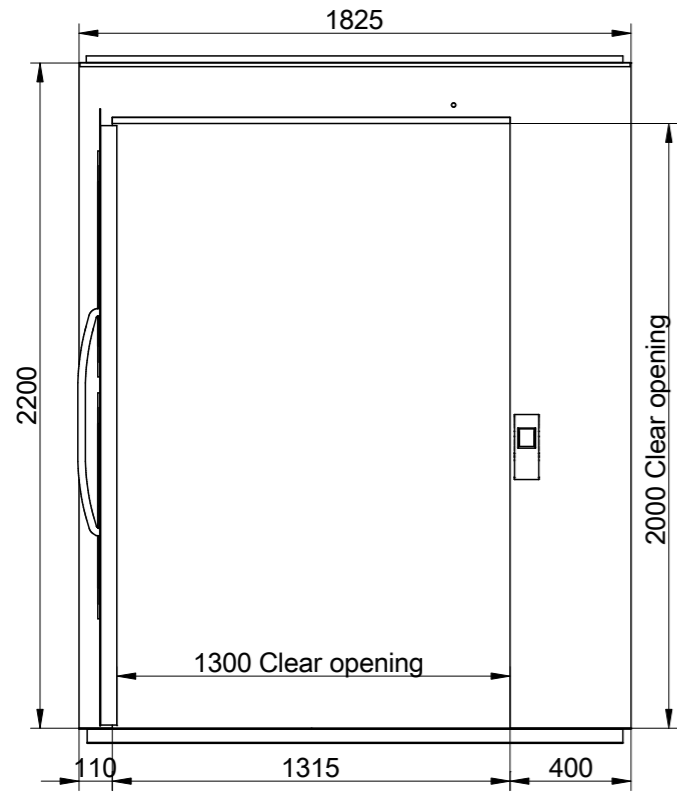


Landing 1 and door front information



Scale: 1:30

Landing	Door type
1	A30
2	A30

Approved by
builder:

European view placement:



Tender no

154832-K

Order no

Gen. Tolerances

SS-ISO 27681-1 m

Principal drawing

A4 Flexa-Mille - 1405*2480

Landing information

Kaksi pysähdystasoa - Ovet samalla
sivulla

Lavakoko 1405 x 2480 mm

Date

2017-02-20

sheet

4 of 6

Scale:

A3, 1:1