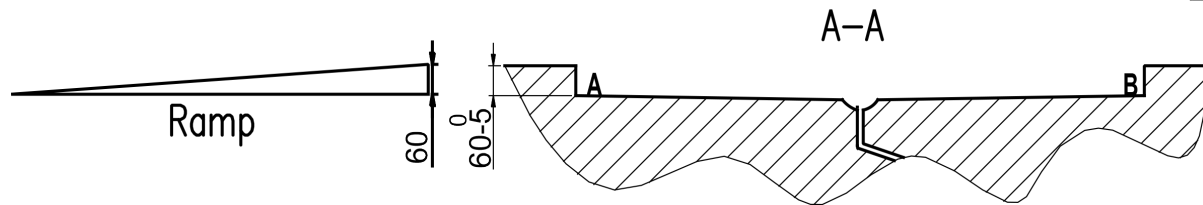
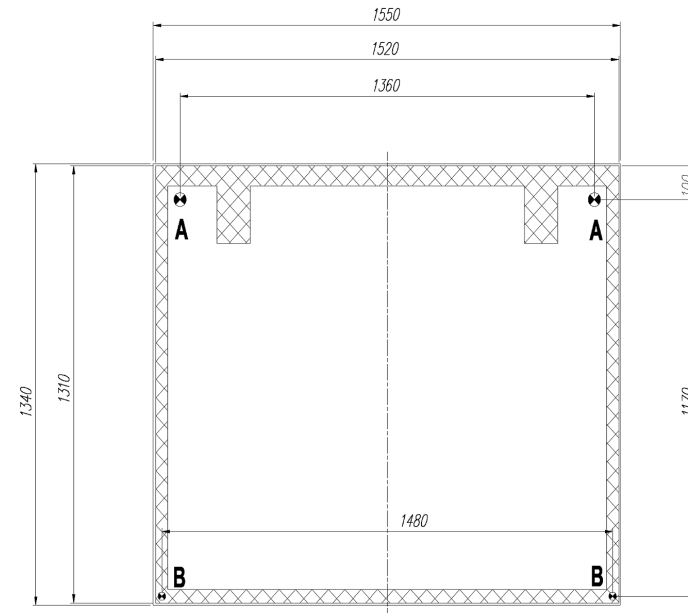
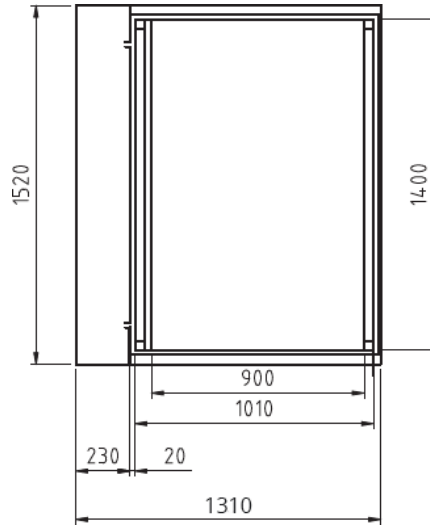
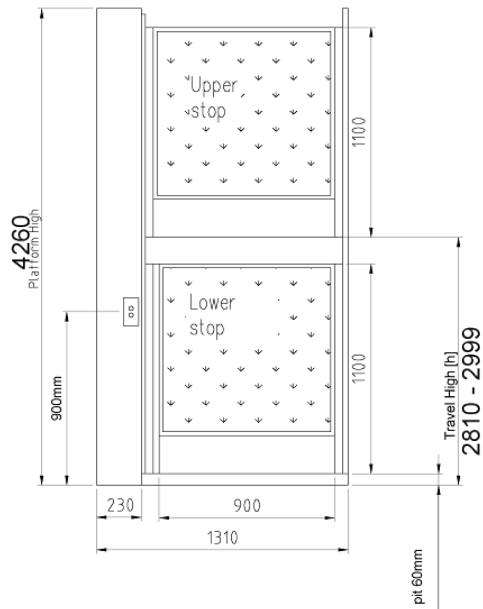
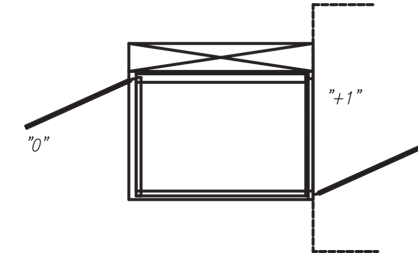


Pit and platform views

Platform weight: 350 - 450 kg

Platform: 900x1400

Door configuration: LLL



 NEXT LEVEL	19152	2017-02-20