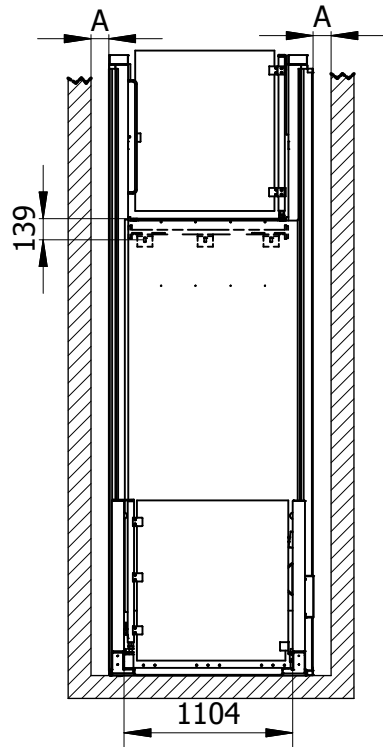


(1:35)



CLEARANCES

"A"
Horizontal distance between the platform and the wall
145mm if smooth, 355mm if irregular

Anchors

Horizontal & Vertical 3 pcs minimum, see installation information for further details of substrate requirements and type
(Only use the fixation angles on the upper level)

Platform floor finish

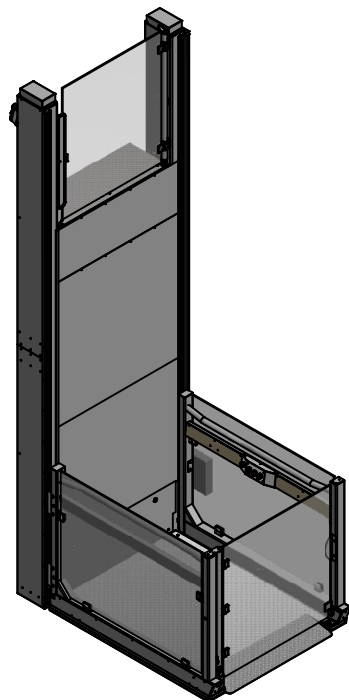
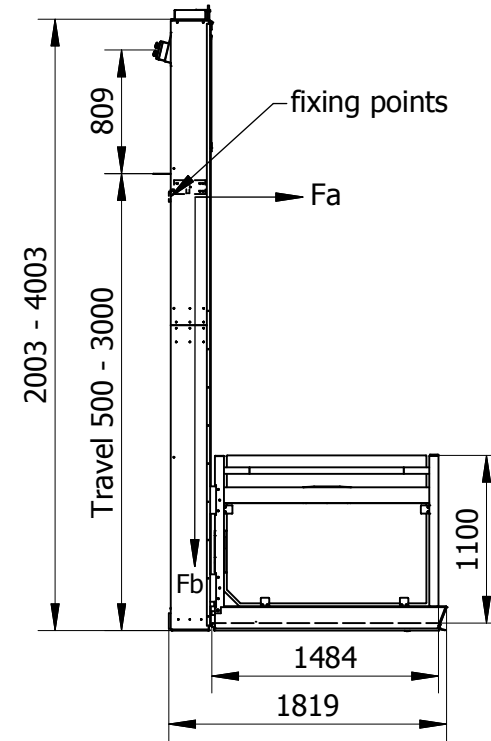
Standard - Aluminium chequer plate

Electrical supply (Main switch)

1ph L, N, PE, 3 x 2,5mm² 16A

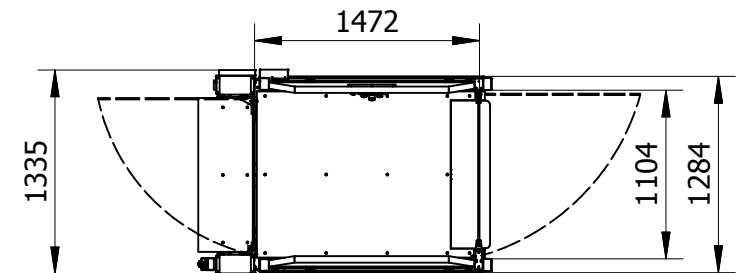
Technical Data

Rated capacity: 400kg / 2 person
Speed: 0,08m / s
Drive: 3,0kW Electrical motor / Belt drive
Electrical Connection: Single phase, 3 x 2,5mm²
Control voltage: 24Volts
Soft start / Stop by frequency inverter
Drive system: Screw / Nut



HORIZONTAL FORCES	
Fixing height mm	Total Anchor Force Fa, kN
400	25,8
600	17,2
800	12,9
1000	10,3
1200	8,6
1400	7,4
1600	6,5
1800	5,7
2000	5,2
2200	4,7
2400	4,3
2600	4
2800	3,7

Fb= Vertical force of 10kN spread over area of 1300 x 250mm



Designed by	Checked by	Approved by	Date	Date	
				2019-10-01	
MPR LIFTS AB			Stratgegos Superior II		
			Single Door	Edition 2	Sheet 1 / 1