

**CLEARANCES**

"A"  
Horizontal distance between the platform and the wall  
145mm if smooth, 355mm if irregular

**Anchors**

Horizontal & Vertical 3 pcs minimum, see installation information for further details of substrate requirements and type (Only use the fixation angles on the upper level)

**Platform floor finish**

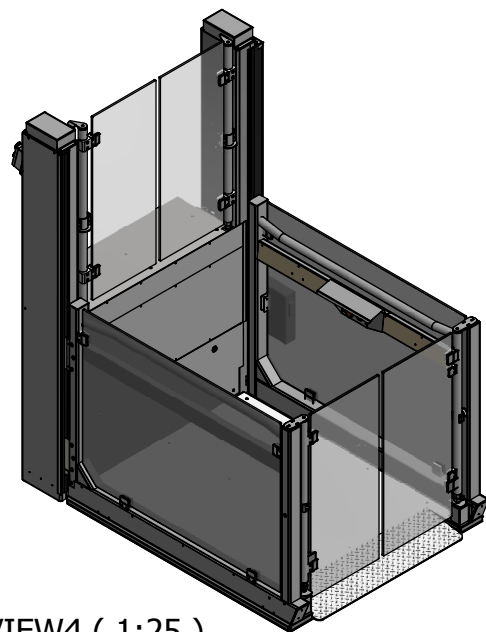
Standard - Aluminium chequer plate

**Electrical supply (Main switch)**

1ph L, N, PE, 3 x 2,5mm<sup>2</sup> 16A

**Technical Data**

Rated capacity: 400kg / 2 person  
Speed: 0,08m / s  
Drive: 3,0kW Electrical motor / Belt drive  
Electrical Connection: Single phase, 3 x 2,5mm<sup>2</sup>  
Control voltage: 24Volts  
Soft start / Stop by frequency inverter  
Drive system: Screw / Nut

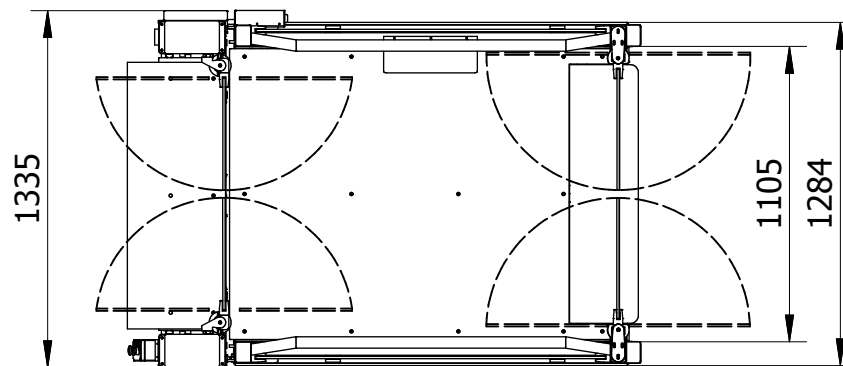
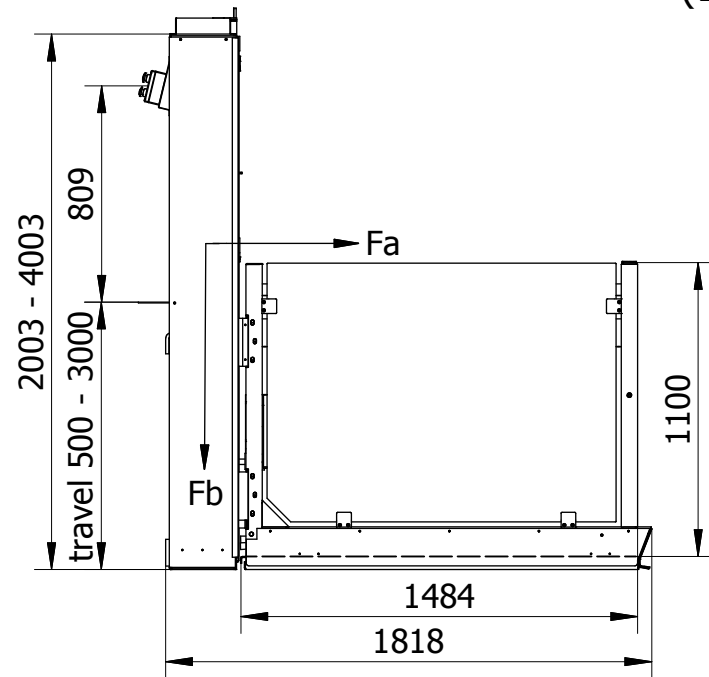


VIEW4 ( 1:25 )

HORIZONTAL FORCES	
Fixing height mm	Total Anchor Force Fa, kN
400	25,8
600	17,2
800	12,9
1000	10,3
1200	8,6
1400	7,4
1600	6,5
1800	5,7
2000	5,2
2200	4,7
2400	4,3
2600	4
2800	3,7

Fb= Vertical force of 10kN spread over area of 1300 x 250mm

(1:20)



Designed by	Checked by	Approved by	Date	Date	
				2019-10-02	
MPR LIFTS AB			Strategos Superior II		
			Double Doors	Edition 2	Sheet 1 / 1