

(1:25)

Clearances

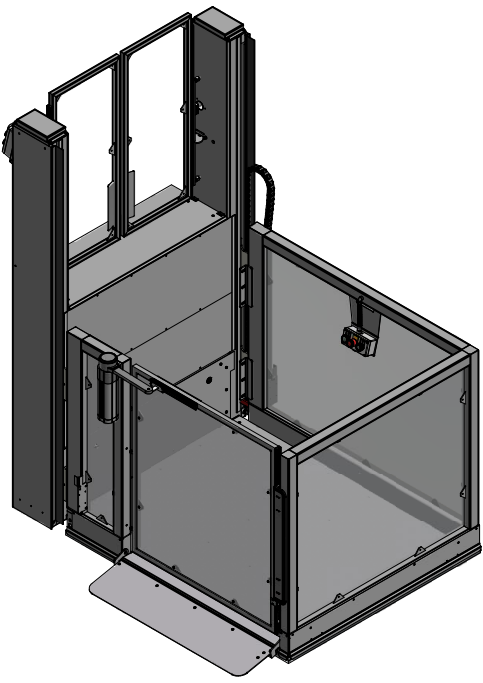
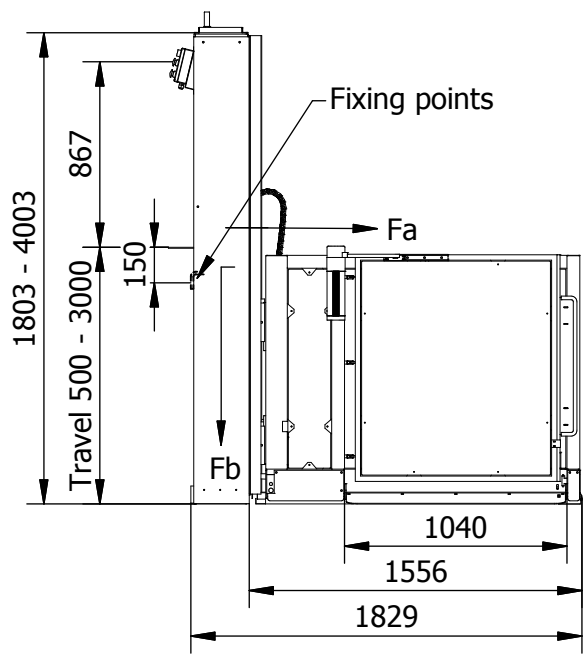
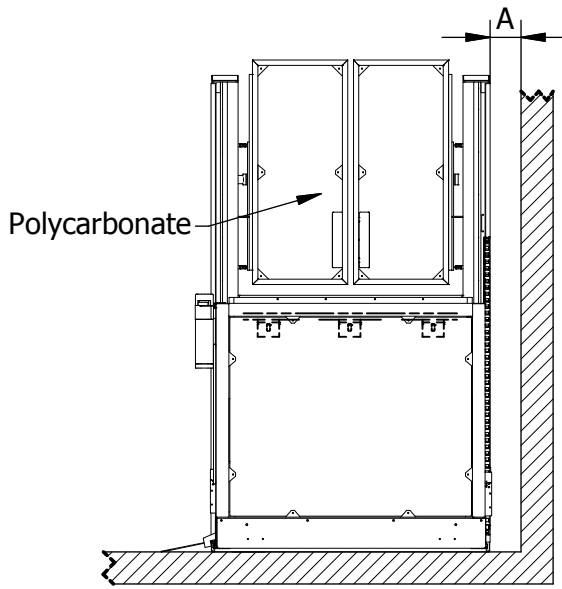
"A"
Horizontal distance between the platform and the wall
145mm if smooth, 355mm if irregular

Anchors
Horizontal & Vertical 3 pcs minimum see installation information
for further details of substrate requirements and type
(Only use the fixation angles in the upper level)

Platform floor finish
Standard - Aluminium chequer plate

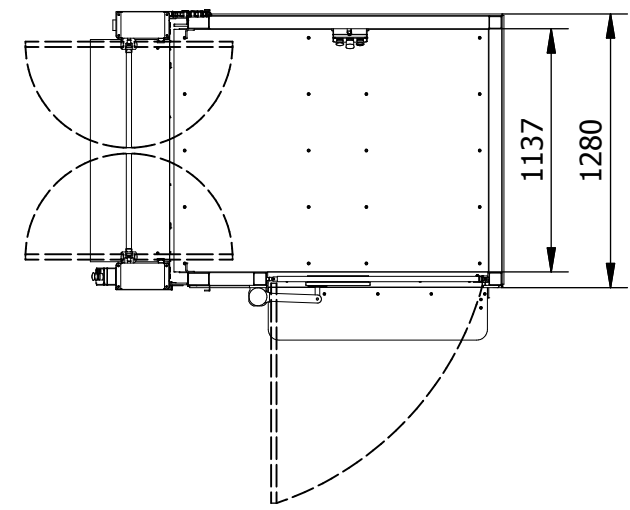
Electrical supply (Main switch)
1ph L, N, PE, 3 x 2,5mm² 16A

Technical Data
Rated capacity: 400kg / 2 person
Speed: 0,08m / s
Drive: 3,0kW Electrical motor / Belt drive
Electrical Connection: Single phase, 3 x 2,5mm²
Control voltage: 24Volts
Soft start / Stop by frequency inverter
Drive system: Screw / Nut



HORIZONTAL FORCES	
Fixing height mm	Total Anchor Force Fa, kN
400	25,8
600	17,2
800	12,9
1000	10,3
1200	8,6
1400	7,4
1600	6,5
1800	5,7
2000	5,2
2200	4,7
2400	4,3
2600	4
2800	3,7

Fb= Vertical force of 10kN spread over area of 1300 x 250mm



Designed by Markku	Checked by	Approved by	Date	Date 2019-10-29	lh=1200
MPR LIFTS AB			Strategos Superior		
			Side Access, door left	Edition	Sheet 1 / 1